

Model EDA-0305A Frequency Response Analyzer

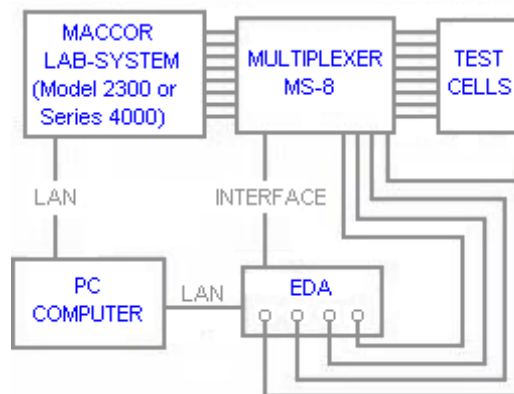
Maccor has recently released the Model EDA-0305A Frequency Response Analyzer designed specifically for use in the impedance evaluation of batteries, super capacitors, and other low impedance energy storage devices. Utilizing the latest digital signal processing techniques and multiple algorithms developed by Maccor's engineers, the Model EDA has the highest accuracy, stability, and repeatability of any FRA instrument for these applications.

The Model EDA is intended for use in conjunction with the Maccor Model 2300 or Series 4000 Battery Test System's, to provide a combined research tool capable of a wide range of experiments. These include long term cycling, pulse charging/discharging, cyclic voltametry, differential capacity, and AC impedance (frequency response analysis) working with either half or full cell samples.



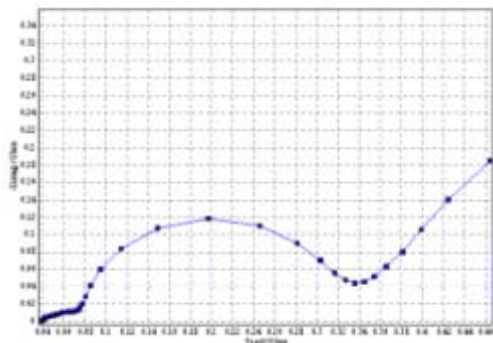
Maccor Model EDA-0305A Frequency Response Analyzer

The Model EDA is easy to set up and operate. The system operates under full computer control, and stability is maintained with any test sample without the need for manual adjustments such as dial settings and bandwidth selection.



An 8 channel multiplexer (MUX) is provided to integrate the Model EDA with the Model 2300 or Series 4000 Battery Test Systems to provide a multiple channel test system. This enables up to 8 samples to be connected at one time, therefore increasing the efficiency of testing. This integrated system also means that more repeatable results are achieved because samples do not have to be disconnected and reconnected during the experiment.

Data from the experiments are processed and analyzed using the standard Maccor Information Management System (MIMS) Data Processing and Data Analysis Software. For the AC impedance data, ASCII text files are available that are compatible with ZView software available through Scribner Associates, Inc. ASCII text files for loading into Microsoft Excel spreadsheets are also available for all test data.



Maccor 8 channel Multiplexer (MUX)